



www.ve-uk.com

April 2019

VE (UK) Parts Catalogue

VESPA - PX125-150-200-T5 / LML Star 125 2t

Covers all models of PX from 1978 on, also covers T5 Classic



**NOW
INCLUDES:
BGM, Malossi,
Pinasco,
Polini**

Also includes performance Parts: Tubeless Wheel Rims, Fast Flow Taps, Electronic Ignitions, Expansion Exhausts, Cylinder Kits, Carbs, Cranks, etc



www.ve-uk.com

List of PX/T5/LML models covered in this Catalogue

PX Mark 1

P125X 1977-1981
P150X 1977-1981
P200E 1977-1981
PX125E 1981-1984
PX150E 1981-1984
PX200E 1981-1984

PX EFL

PX125EFL 1984-1997
PX200EFL 1984-1997

T5

T5 125 1986-1990 (Rectangular Headlamp Model)

T5 Classic

T5 125 Classic 1990-2000 (Round Headlamp Model)

PX Disc (Pre MY)

PX125E Disc 1998-2004
PX200E Disc 1998-2004

PX Disc (My)

PX125E Disc 2004-2010
PX200E Disc 2004-2010

PX Disc (2011 on)

PX125E Disc 2011 on
PX200E Disc 2011 on

LML 2t (2 Stroke)

LML Star 125 2t (2 Stroke)

**To assist you in determining parts for your scooter,
where applicable, the models above are noted
against parts shown on any given page.**

Contents

Direct links - click any page below

3: Crankcases, Bearings, Seals

4: Clutches, Plates, Parts

5: Crank, Piston, Exhaust

6: Performance Cylinder & Exhausts

7: Performance Pistons, Rings, Heads

8: Gearbox Parts

9: Kickstart, Gear Cluster

10: Selector Box, CDI

11: Flywheel & Stator

12: Carburettors, Jets, Parts

13: Fuel Tank, Petrol Pipe

14: Rear Hub & Rear Brake

15: Front Drum Brake, Forks

16: Front Disc Brake , Forks

17: Suspension, Locks

18: Frame, Horncover, F/boards

19: Side Panels, Toolbox

20: Stand, Floor Strips, Mats

21: Wheel Rims, Inner Tubes

22: Handlebars, Levers, Mirrors

23: Cables, Rear Brake Pedal

24: Lamps - Front & Rear

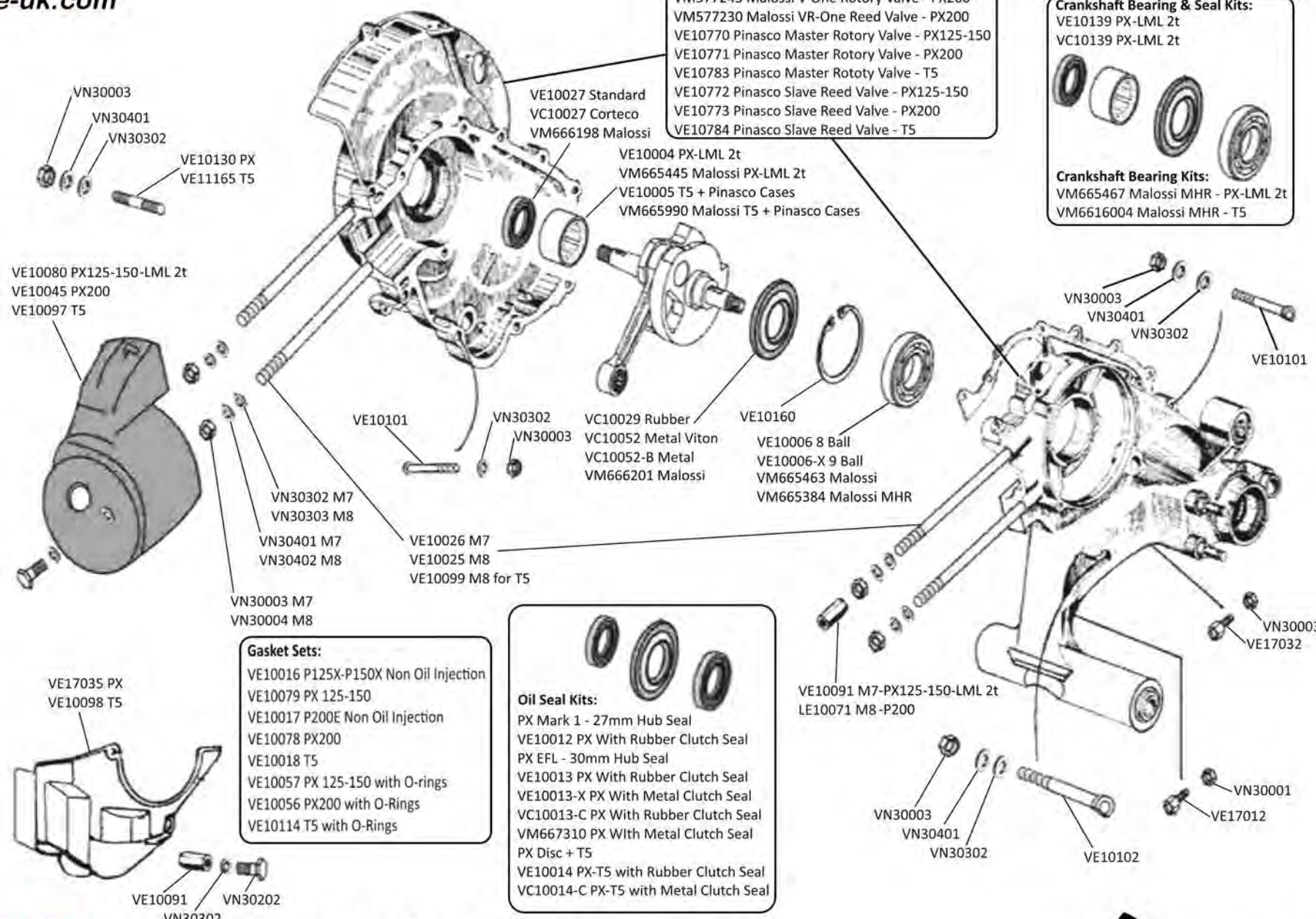
25: Indicators, Electrical

26: Seat, Wiring looms

Badges are on the page relevant to their location on the scooter, pages 18 + 19 refer.

Make a note of the VE part numbers you require and click [HERE](#) to be taken direct to our online Vespa parts section.

Click the VE logo (top left) on any page to be redirected to the online Vespa parts section.



- Crankcases:**
- VM577245 Malossi V-One Rotary Valve - PX200
 - VM577230 Malossi VR-One Reed Valve - PX200
 - VE10770 Pinasco Master Rotary Valve - PX125-150
 - VE10771 Pinasco Master Rotary Valve - PX200
 - VE10783 Pinasco Master Rotary Valve - T5
 - VE10772 Pinasco Slave Reed Valve - PX125-150
 - VE10773 Pinasco Slave Reed Valve - PX200
 - VE10784 Pinasco Slave Reed Valve - T5

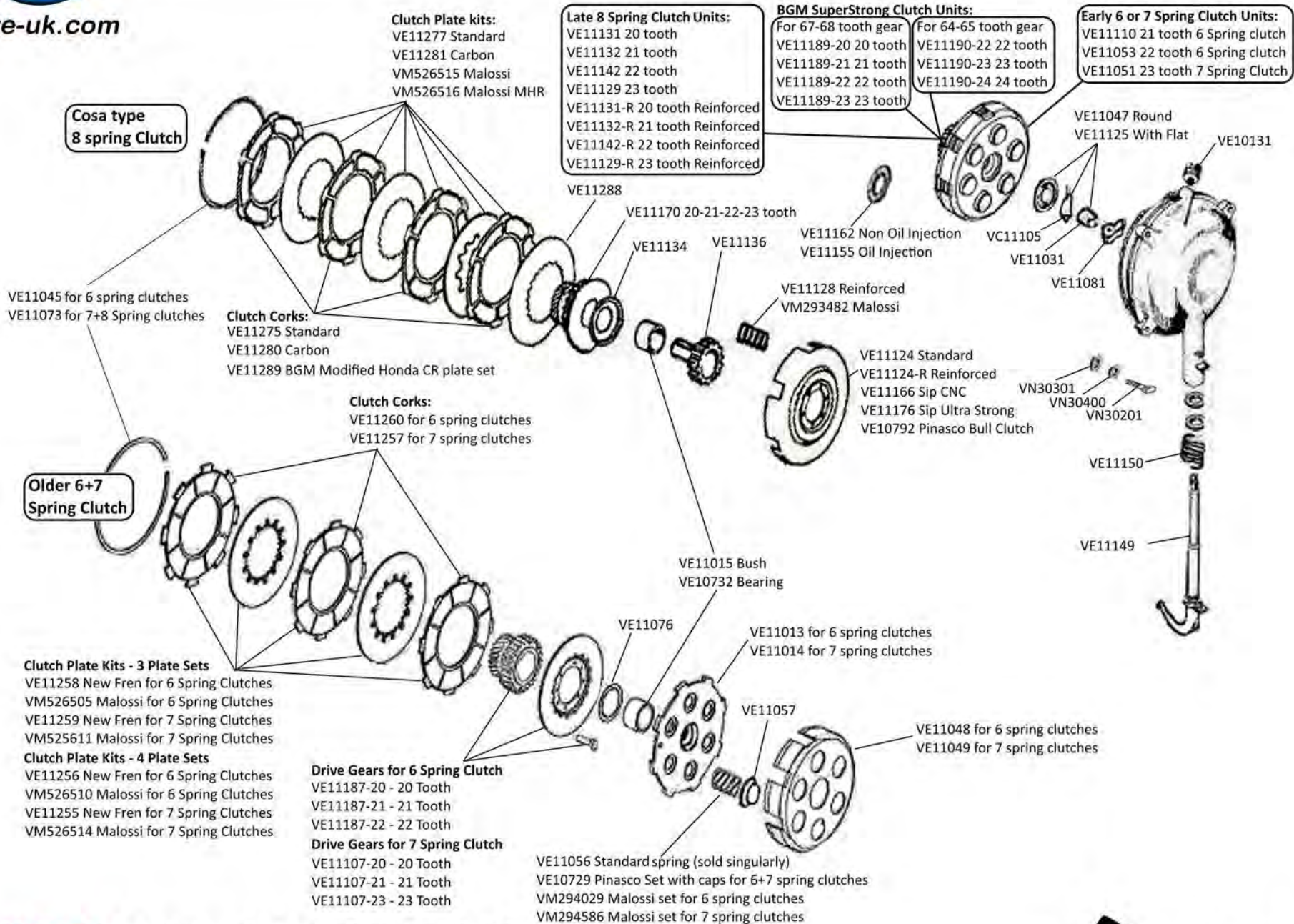
- Crankshaft Bearing & Seal Kits:**
- VE10139 PX-LML 2t
 - VC10139 PX-LML 2t
-
- Crankshaft Bearing Kits:**
- VM665467 Malossi MHR - PX-LML 2t
 - VM6616004 Malossi MHR - T5

- Oil Seal Kits:**
- PX Mark 1 - 27mm Hub Seal
 - VE10012 PX With Rubber Clutch Seal
 - PX EFL - 30mm Hub Seal
 - VE10013 PX With Rubber Clutch Seal
 - VE10013-X PX With Metal Clutch Seal
 - VC10013-C PX With Rubber Clutch Seal
 - VM667310 PX With Metal Clutch Seal
 - PX Disc + T5
 - VE10014 PX-T5 with Rubber Clutch Seal
 - VC10014-C PX-T5 with Metal Clutch Seal

- Gasket Sets:**
- VE10016 P125X-P150X Non Oil Injection
 - VE10079 PX 125-150
 - VE10017 P200E Non Oil Injection
 - VE10078 PX200
 - VE10018 T5
 - VE10057 PX 125-150 with O-rings
 - VE10056 PX200 with O-Rings
 - VE10114 T5 with O-Rings

- VE17035 PX
- VE10098 T5
- VE10091
- VN30202
- VN30302

click **HERE** to return to our Contents Page



click **HERE** to return to our Contents Page

- VE10021 PX125 - 52.5mm and Oversize
- VE10042 T5 - 55mm
- VE10087 PX150 - 57.8mm and Oversize
- VE10020 P200 - 66.5mm and Oversize
- VE10075 PX125-150 Standard
- VE10076 P200-T5 Standard
- VE10023 PX125 Plain - 52.5mm and Oversize
- VE10024 PX125 L - 52.5mm and Oversize
- VE10041 T5 - 55mm
- VE10117 PX150 - 57.8mm and Oversize
- VE10022 P200 - 66.5mm and Oversize

Standard Cylinder and Pistons:

- VE10077 PX125 Standard
- VE10060 PX150 Standard - Italian
- VE20720 PX150 Standard
- VE10142 PX150+LML - 5 Port
- VE10123 P200 Standard - Italian
- VE20721 P200 Standard

- VE10049 PX125-150
- VE10039 T5
- VE10047 P200

- VE10059 PX125
- VE10141 PX150
- VE10165 T5 - Standard
- VE10106 P200

- Long Reach for P200 - T5
- | | | |
|------|----------|--------|
| NGK | Champion | Racing |
| B6ES | N5C | - |
| B7ES | N4C | B7EVX |
| B8ES | N3C | B8EG |
| B9ES | N2C | B9EG |

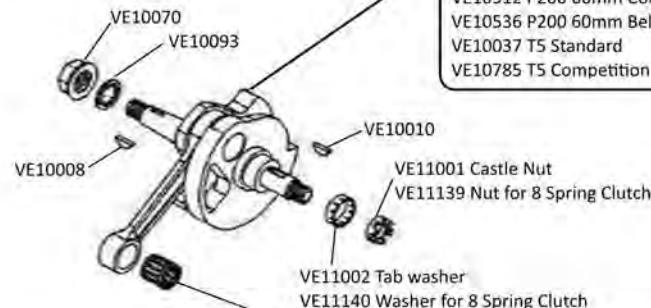
- Short Reach for PX125-150
- | |
|------|
| NGK |
| B6HS |
| B7HS |
| B8HS |
| B9HS |

Standard Looking "BOX" Exhausts:

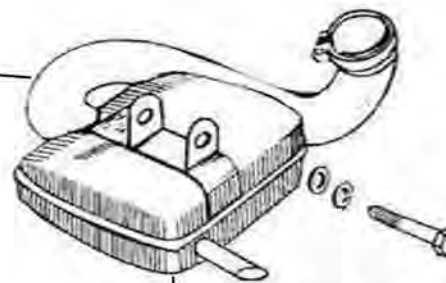
- Standard:**
- VE13257 PX125-150 - LML 2t - Standard Non Catalysed
 - VE13258 P200 - Standard Non Catalysed
- BGM Big Box Touring :**
- VE13325 PX125-150 - LML 2t - BGM Big Box Touring
 - VE13327 T5 - BGM Big Box Touring
 - VE13326 P200 - BGM Big Box Touring
- Malossi Power Classic:**
- VM327791 PX125-150 - LML 2t - Malossi Power Classic
 - VM327790 P200 - Malossi Power Classic
- Polini Original:**
- VP002018 PX125-150 - LML 2t - Polini Original
 - VP002022 P200 - Polini Original
- Pinasco Touring:**
- VE10775 PX125-150 - LML 2t - Pinasco Touring
 - VE10776 P200 - Pinasco Touring
- Sip Road 2:**
- VE13298 PX125-150 - LML 2t - Sip Road 2
 - VE13309 T5- Sip Road 2
 - VE13299 P200 - Sip Road 2
- Sito Plus:**
- VE13265 PX125-150 - LML 2t - Sito Plus
 - VE13262 T5 - Sito Plus
 - VE13266 P200 - Sito Plus
- VE Actif Road Race:**
- VE13323 PX125-150 - LML 2t - VE Actif Road Race
 - VE13324 P200 - VE Actif Road Race

Crankshafts:

- VE10508 PX125-150-LML 2t Standard
- VE10509 PX125-150-LML 2t Competition
- VE10537 PX125-150-LML 2t 60mm Competition
- VE10510 P200 Standard
- VE10511 P200 Competition
- VE10512 P200 60mm Competition
- VE10536 P200 60mm Bell for Reed valve motors
- VE10037 T5 Standard
- VE10785 T5 Competition



- VE10070
- VE10093
- VE10010
- VE11001 Castle Nut
- VE11139 Nut for 8 Spring Clutch
- VE11002 Tab washer
- VE11140 Washer for 8 Spring Clutch
- VC10002 PX125-150-LML 2t
- VM663948 PX125-150-LML 2t Malossi
- VC10003 P200
- VM668898 P200-T5 Malossi
- VM666004 T5 - for Malossi 172 kit



Bigger more revvy "Box" Exhausts for Tuned motors

- BGM Big Box Sports**
- VE13328 PX125-150 - LML 2t - Big Box Sports
 - VE13329 P200 - BGM Big Box Sports
- Sip Road XL:**
- VE13298-XL PX125-150 - LML 2t - Sip Road XL
 - VE13309-XL T5 - Sip Road XL
 - VE13299-XL P200 - Sip Road XL

www.ve-uk.com

Performance Cylinder Kits:

For PX125-150 and LML 2t motors:

- VM317181 Malossi 166cc
- VM318005 Malossi Sport Alloy 177cc
- VM317163 Malossi MHR Alloy 177cc
- VM317361 Malossi MHR Alloy 187cc - requires 60mm crank
- VE10900 BGM Pro 177cc or 187cc with 60mm Crank
- VE00711 DR-Olympia 177cc
- VE10702 Pinasco Iron 177cc
- VE10701 Pinasco Magny Cours Alloy 177cc
- VE10786 Pinasco VespaOne RX 190 Alloy - 187cc - requires 60mm crank
- VP400080 Polini Iron 177cc
- VP400081 Polini Alloy 177cc
- VP400088 Polini Alloy 187cc - requires 60mm crank

For T5 and T5 Classic:

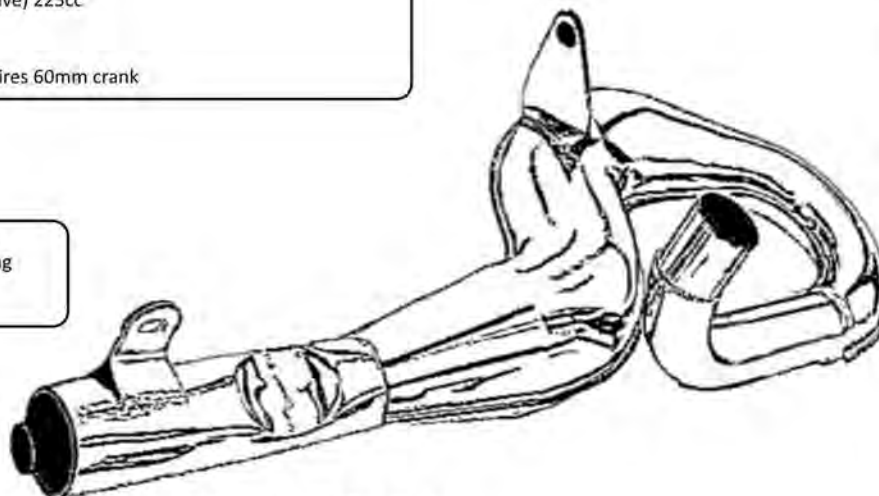
- VM315102 Malossi Alloy 172cc
- VE10788 Pinasco Master Alloy 162cc
- VE10789 Pinasco Slave (Reed Valve) Alloy 162cc
- VP400057 Polini Iron 152cc

For P200 motors:

- VM316346 Malossi Sport 210cc (or VM316359 without head)
- VM316349 Malossi MHR 210cc (or VM316360 without Head)
- VM316129 Malossi MHR 221cc (or VM316361 without head) requires 60mm crank
- VE10700 Pinasco 213cc
- VE10730 Pinasco 225cc - requires 60mm crank
- VE10796 Pinasco 957RR - 215cc
- VE10797 Pinasco 960RR - 225cc
- VE10798 Pinasco 957VTR (Reed Valve) 215cc
- VE10799 Pinasco 960VTR (Reed Valve) 225cc
- VP400082 Polini Iron 207cc
- VP400087 Polini Alloy 210cc
- VP400084 Polini Alloy 221cc - requires 60mm crank

Left hand exit Expansion Chambers:

- VE13287 PX125-150 - LML 2t - Sterling
- VE13289 T5 - Sterling
- VE13288 P200 - Sterling



Right hand exit Expansion Chambers:

- VE13300 PX125-150 - LML 2t - Giannelli
- VM327138 PX125-150 - LML 2t - Malossi Power
- VE10722 PX125-150 - LML 2t - Pinasco Chrome
- VP002019 PX125-150 - LML 2t - Polini
- VP000306 PX125-150 - LML 2t - Polini Evolution
- VE13314 PX125-150 - LML 2t - Simonini Black
- VE13315 PX125-150 - LML 2t - Simonini Chrome
- VE10726 T5 - Pinasco Chrome
- VE13318 T5 - Simonini Black
- VE13319 T5 - Simonini Chrome
- VE13305 P200 - Giannelli
- VM327143 P200 - Malossi Power
- VE10723 P200 Pinasco Chrome
- VP002023 P200 - Polini
- VP000307 P200 - Polini Evolution
- VE13316 P200 - Simonini Black
- VE13317 P200 - Simonini Chrome

click **HERE** to return to our Contents Page

Piston Kits for BGM Pro 177/187 cylinder Kits
 VE10901 PX125-150 - LML 2t - 63mm Grades A,B,C,D
Piston Kits for DR-Olympia Performance Cylinders:
 VE00702 PX125-150 - LML 2t - 63mm for DR-Olympia 177
Piston Kits for Malossi Performance Cylinders:
 VM346170 PX125-150 - LML 2t - 61mm for Malossi 166
 VM346703 T5 - 65mm for Malossi 172
 VM346294 P200 - 68.5mm for Malossi 210 Sport - Twin ring
 VM346293 P200 - 68.5mm for Malossi 210-221 MHR - Single Ring
Piston Kits for Pinasco Performance Cylinders:
 VE10706 PX125-150 - LML 2t - 63mm for Pinasco Iron 177
 VE10707 PX125-150 - LML 2t - 63mm for Pinasco Alloy 177
 VE10801 T5 - 63mm for Pinasco 162
 VE10704 P200 - 69mm for Pinasco 213-225
Piston Kits for Polini Performance Cylinders:
 VP040080 PX125-150 - LML 2t - 63mm for Polini Iron 177
 VP040960 PX125-150 - LML 2t - 63mm for Polini Alloy 177-187
 VP040350 T5 - 61mm for Polini Iron 152
 VP040920 P200 - 68mm for Polini Iron 207
 VP040942 P200 - 68.5mm for Polini Alloy 210-221

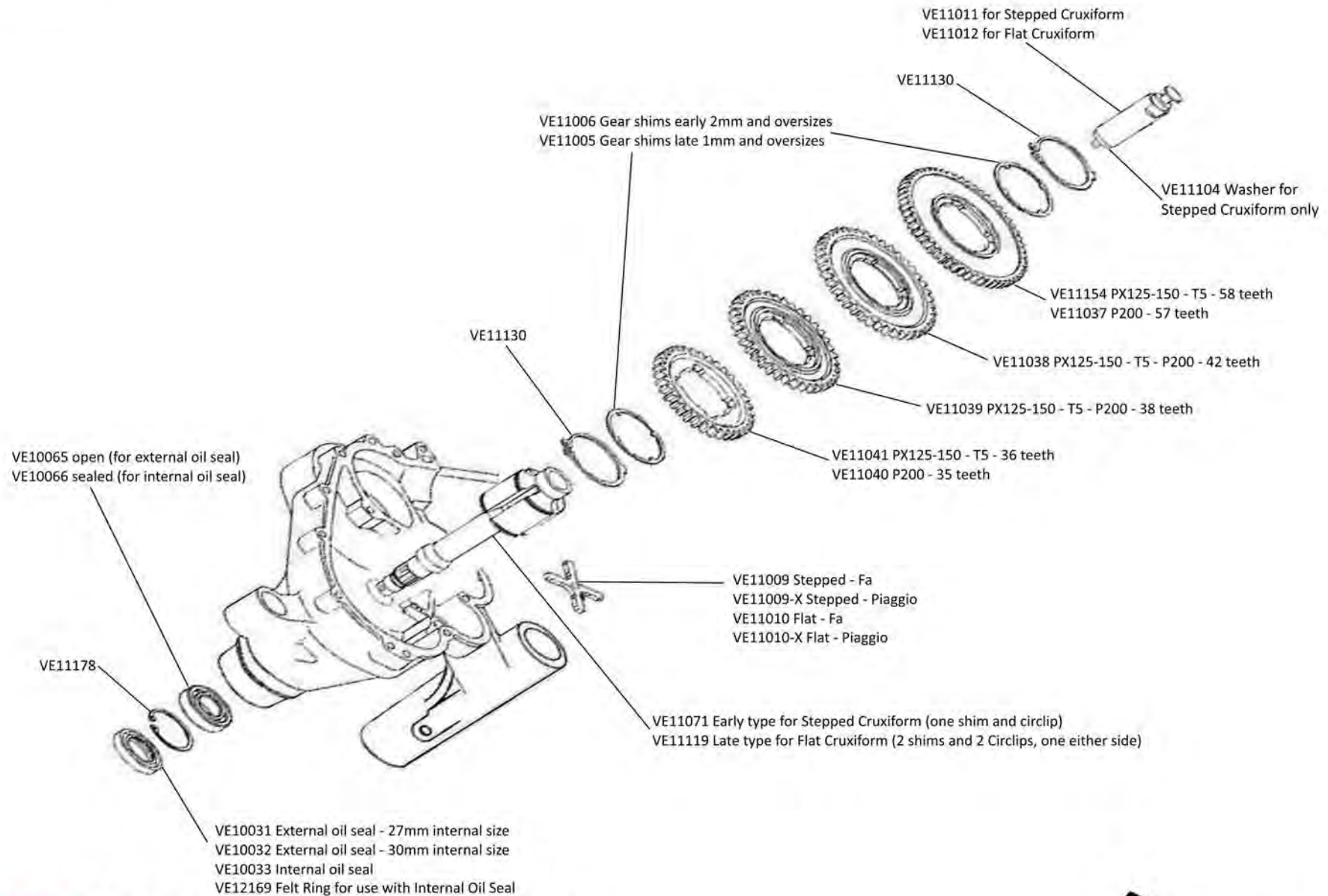
VM234489 15mm for Malossi 166 kits
 VM236730 16mm for Malossi 172 kits
 VM234492 16mm for Malossi 210-221 kits

VE10075 PX125-150 Standard
 VP720003 PX125-150 Wire G Shaped
 VM364416 PX125-150 Wire C Shaped
 VE10076 P200-T5 Standard
 VP720100 P200-T5 Wire G Shaped
 VM364452 P200-T5 Wire C Shaped

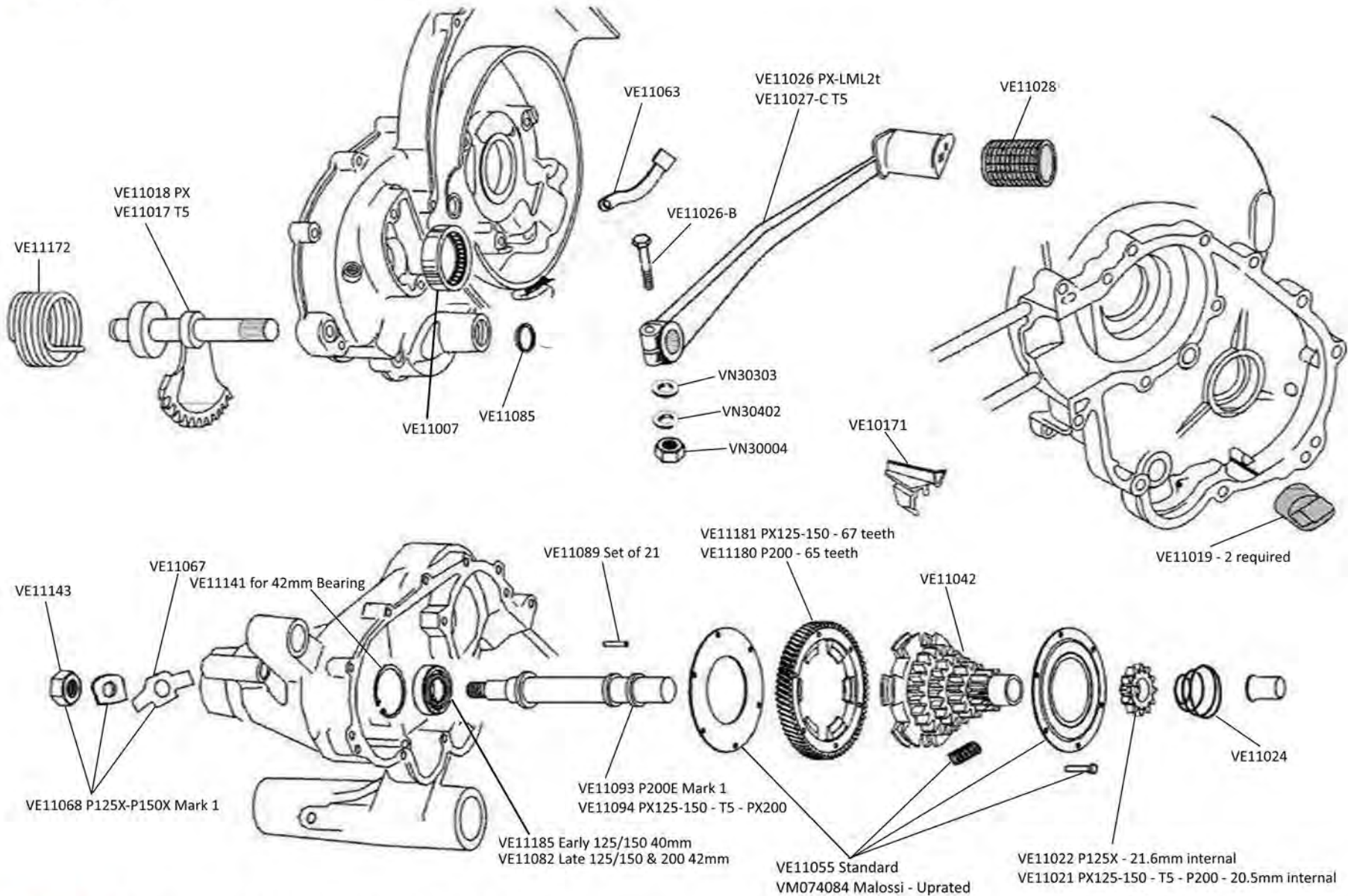
Piston ring(s) for DR-Olympia Performance Cylinders:
 VE00705 PX125-150 - LML 2t - 63mm (Single - requires 2) for 177
Piston ring(s) for Malossi Performance Cylinders:
 VM355412 PX125-150 - LML 2t - 61mm (Pair) for 166
 VM354554 T5 - 65mm (Pair) for 172
 VM357068 P200 - 210 Sport 68.5mm (Pair) for 210 Sport
 VM355220 P200 - 210-221 MHR 68.5mm (Single) for 210-221 MHR
Piston ring(s) for Pinasco Performance Cylinders:
 VE10705 PX125-150 - LML 2t - 63mm (Pair) Plain and L rings for 177-187
 VE10803 PX125-150 - LML 2t - 63mm x 1mm (Pair) for 177-187
 VE10802 T5 - 63mm for 162
 VE10705 P200 - 69mm (Pair) Plain and L rings for 213-225
 VE10804 P200 - 69mm (Pair) Thin ring set for 213-225
Piston ring(s) for Polini Performance Cylinders:
 VP060060 PX125-150 - LML 2t - 63mm (Single - requires 2) for 177 iron
 VP060377 PX125-150 - LML 2t - 63mm (Single - requires 2) for 177-187 alloy
 VP060190 T5 - 61mm (Single - requires 2) for 152
 VP060340 P200 - 68mm (Pair) for 207 Iron
 VP060357 P200 - 68.5mm (Pair) for 210-221 alloy

Base Gaskets:
 VE10713 Pinasco 177
 VP540003 Polini 177
 VP540100 Polini 207-210-221
Malossi top end gasket sets:
 VM113491 PX125-150 - Malossi 166
 VM116601 T5 - Malossi 172
 VM113779 P200 - Malossi 210-225
Head Gasket for Polini Alloy Kits:
 VP510038 PX125-150 - Polini 177-187 alloy
 VP510037 P200 - Polini 210-225 alloy

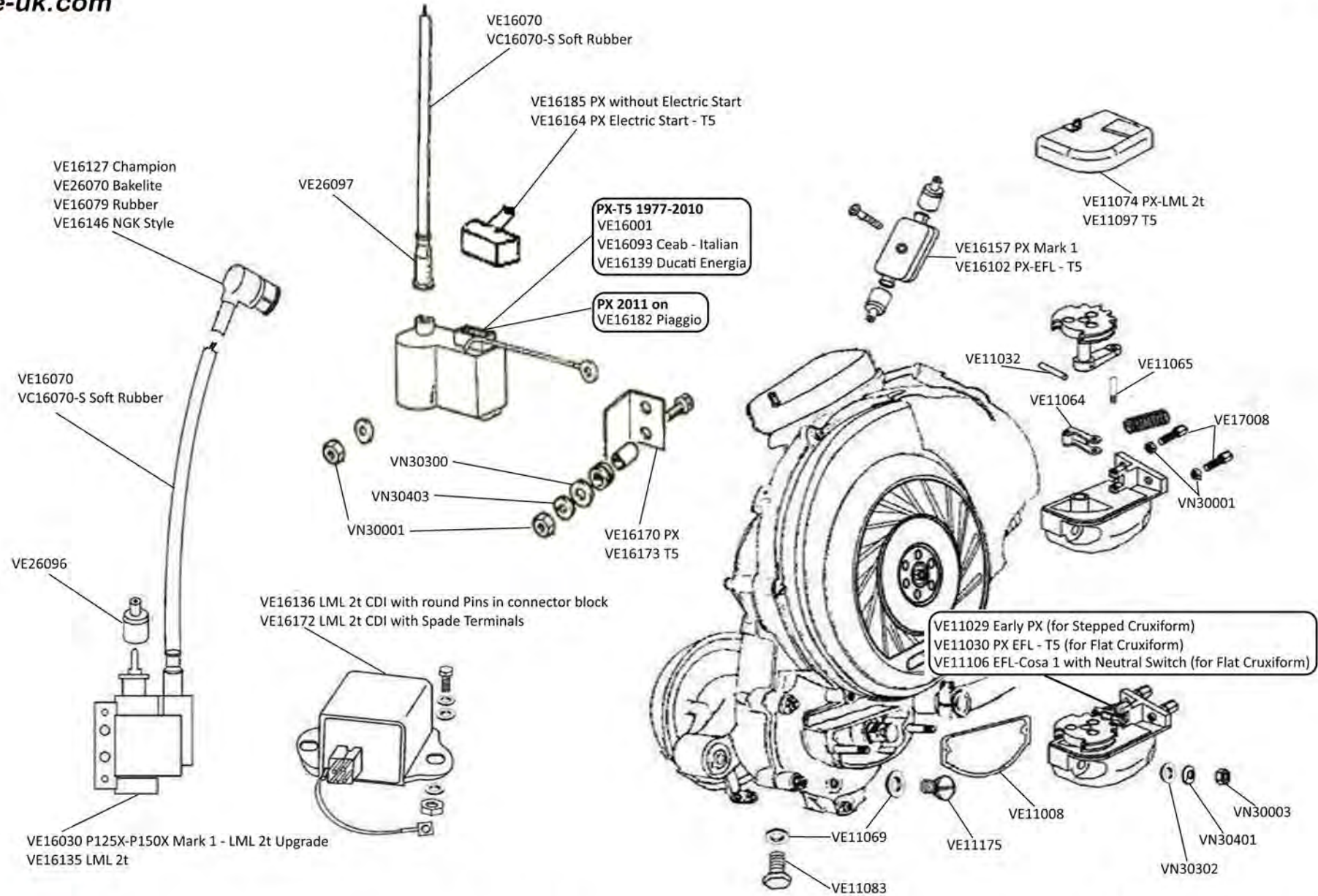
VE10166 T5 - Head for Malossi 172
 VM385920 P200 - Head for Malossi 210-221



click **HERE** to return to our Contents Page

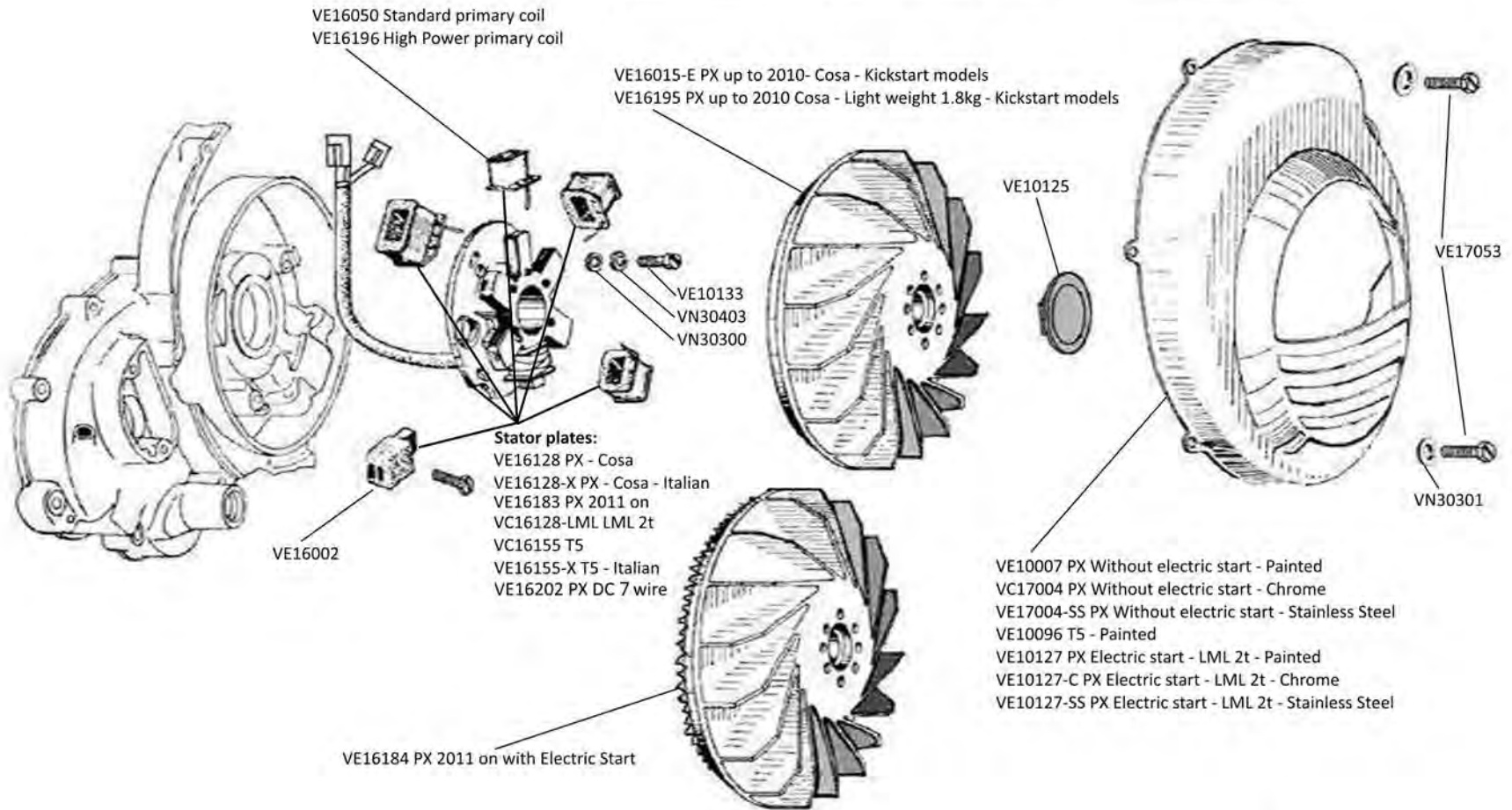


click **HERE** to return to our Contents Page



click **HERE** to return to our Contents Page

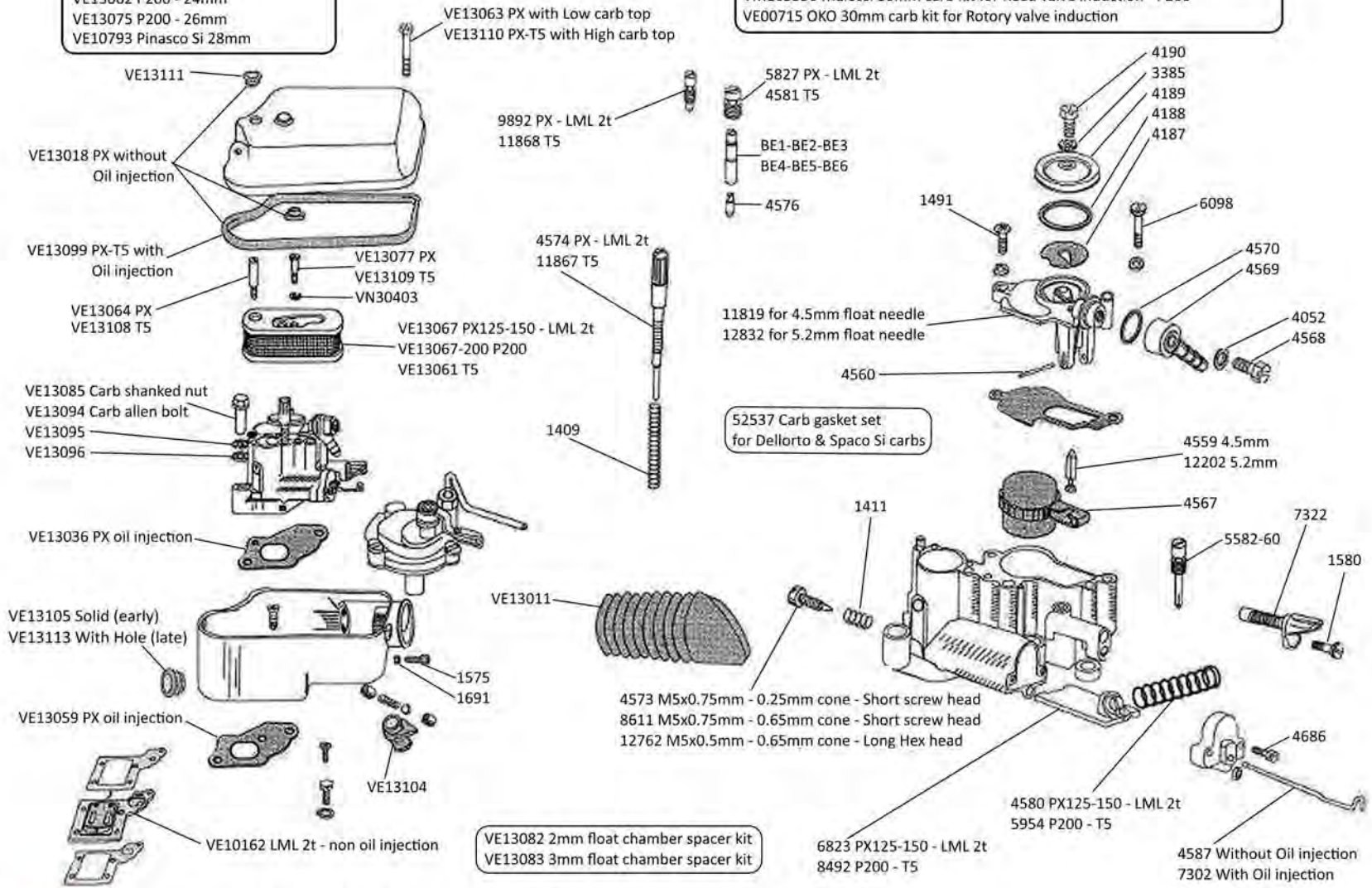
Electronic ignition kits:
 VM556956 Malossi Vespower ignition kit with 0.9kg flywheel - PX without electric start
 VM556953 Malossi Vespower ignition kit with 1.2kg flywheel - PX without electric start
 VM557175 Malossi Vespower ignition kit with 1.2kg flywheel - PX with electric start
 VE10755 Pinasco Flytech ignition kit with 0.9kg flywheel - PX without electric start
 VE10747 Pinasco Flytech ignition kit with 1.6kg flywheel - PX without electric start
 VE10746 Pinasco Flytech ignition kit with 1.8kg flywheel - PX with electric start
 VE10782 Pinasco Flytech ignition kit with 1.4kg flywheel - T5
 VE10781 Pinasco Flytech ignition kit with 1.6kg flywheel - T5



Complete Si Carbs:
 VE13069 PX125-150 - LML 2t - 20mm
 VE13015 T5 - 24mm
 VE13076 T5 - 26mm
 VE13062 P200 - 24mm
 VE13075 P200 - 26mm
 VE10793 Pinasco Si 28mm

VP030153 Polini Air filter kit - Si 20
 VP030152 Polini Air filter kit - Si 24

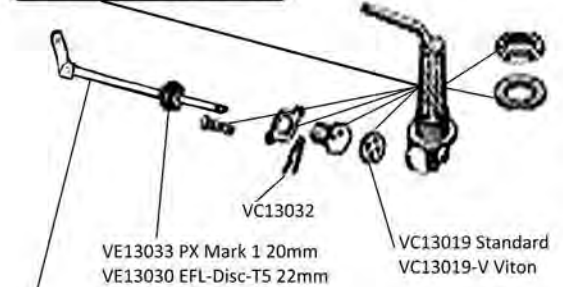
Carb kits:
 VM160600 Malossi 30mm carb kit for Rotary valve induction - PX125-150 - T5
 VM165895 Malossi 30mm carb kit for Reed valve induction - PX125-150 - T5
 VM160701 Malossi 30mm carb kit for Rotary valve induction - P200
 VM165550 Malossi 30mm carb kit for Reed valve induction - P200
 VE00715 OKO 30mm carb kit for Rotary valve induction



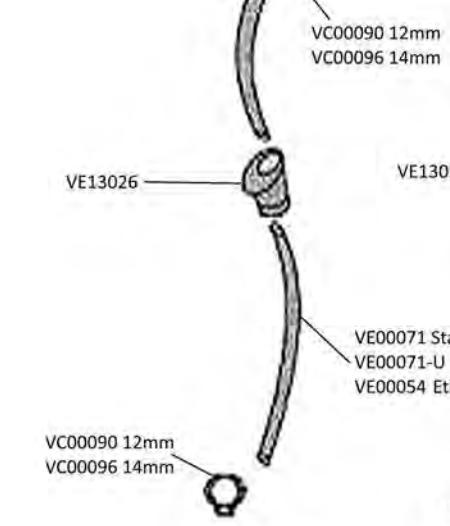
click **HERE** to return to our Contents Page

www.ve-uk.com

VE13005 with Reserve
 VE13004 without Reserve
 VE13092 Fast Flow with Reserve



VE13023 PX-T5 Plastic end
 VE23005 PX-T5 Metal end



VE13058

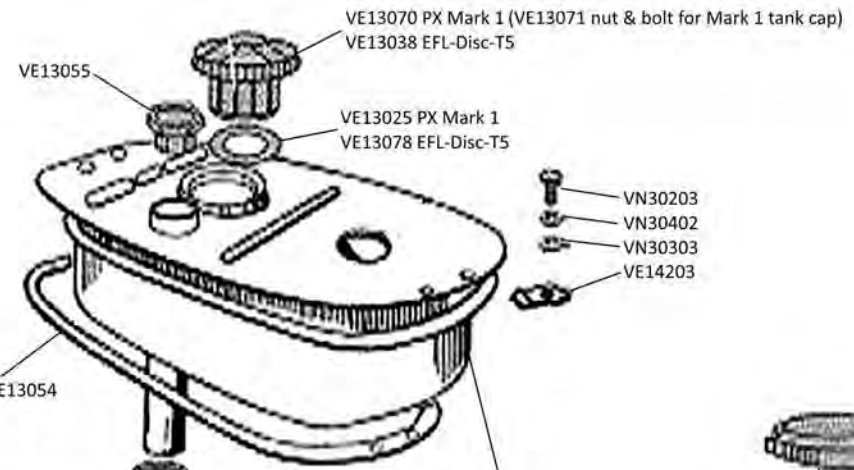
VE13028

VC13028-G

VE00071 Standard
 VE00071-U Unleaded Resistant
 VE00054 Ethanol Resistant

VE00081 7mm x 4mm

VC00088 7mm
 VC00089 9mm



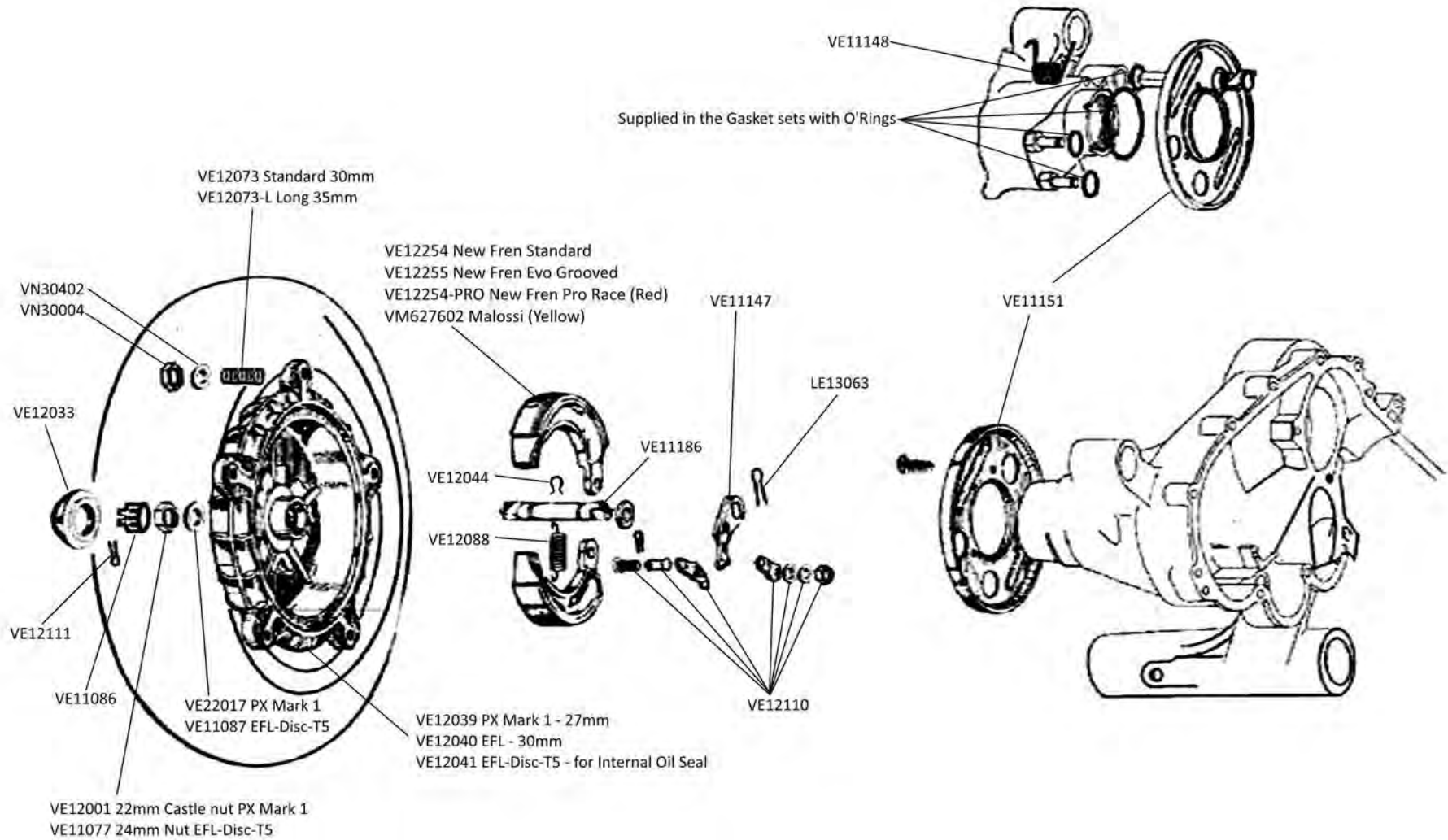
VN30203
 VN30402
 VN30303
 VE14203



VE23010 PX Mark 1 - without oil injection
 VE13047 EFL-Disc-T5

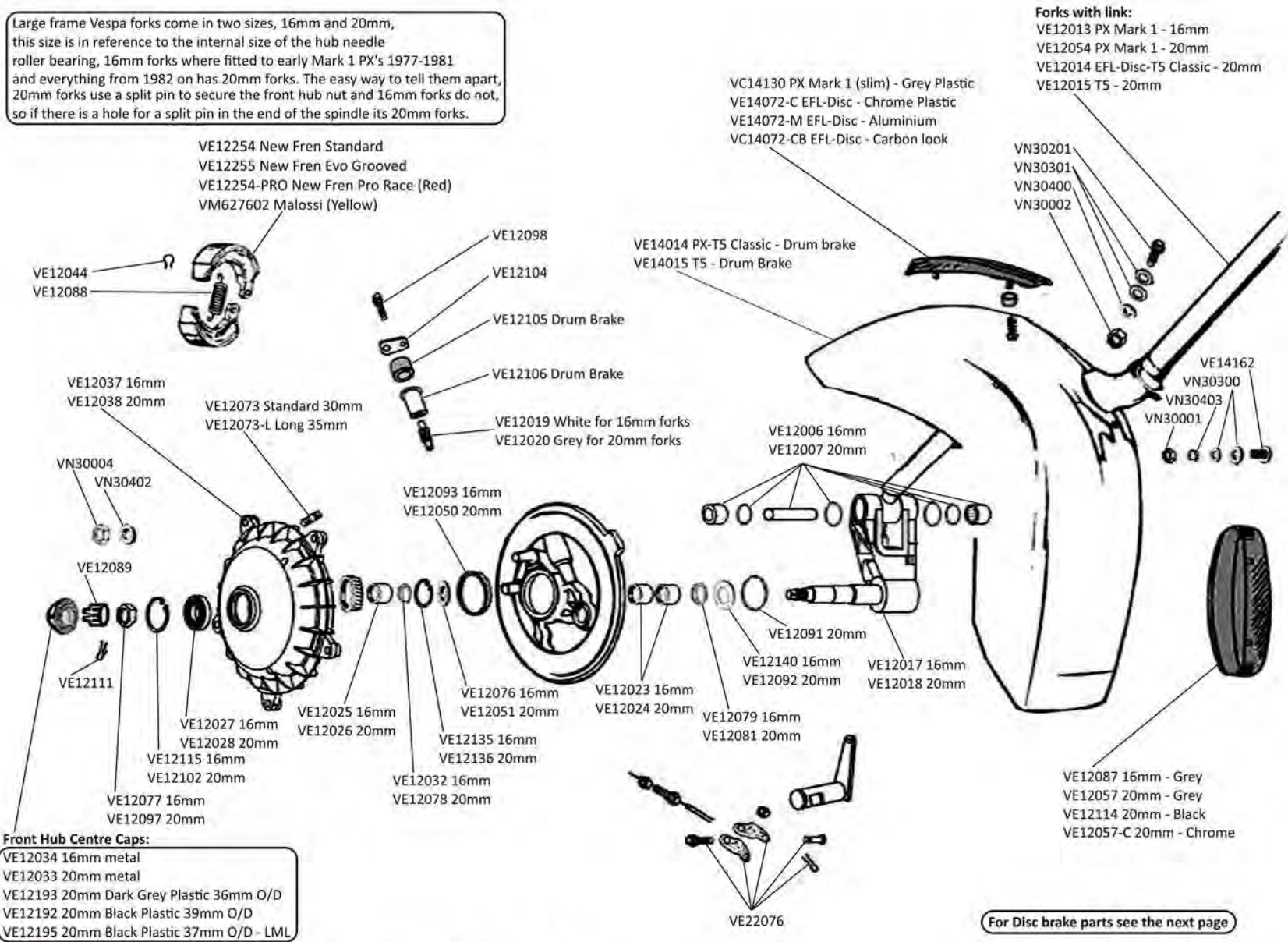


click **HERE** to return to our Contents Page



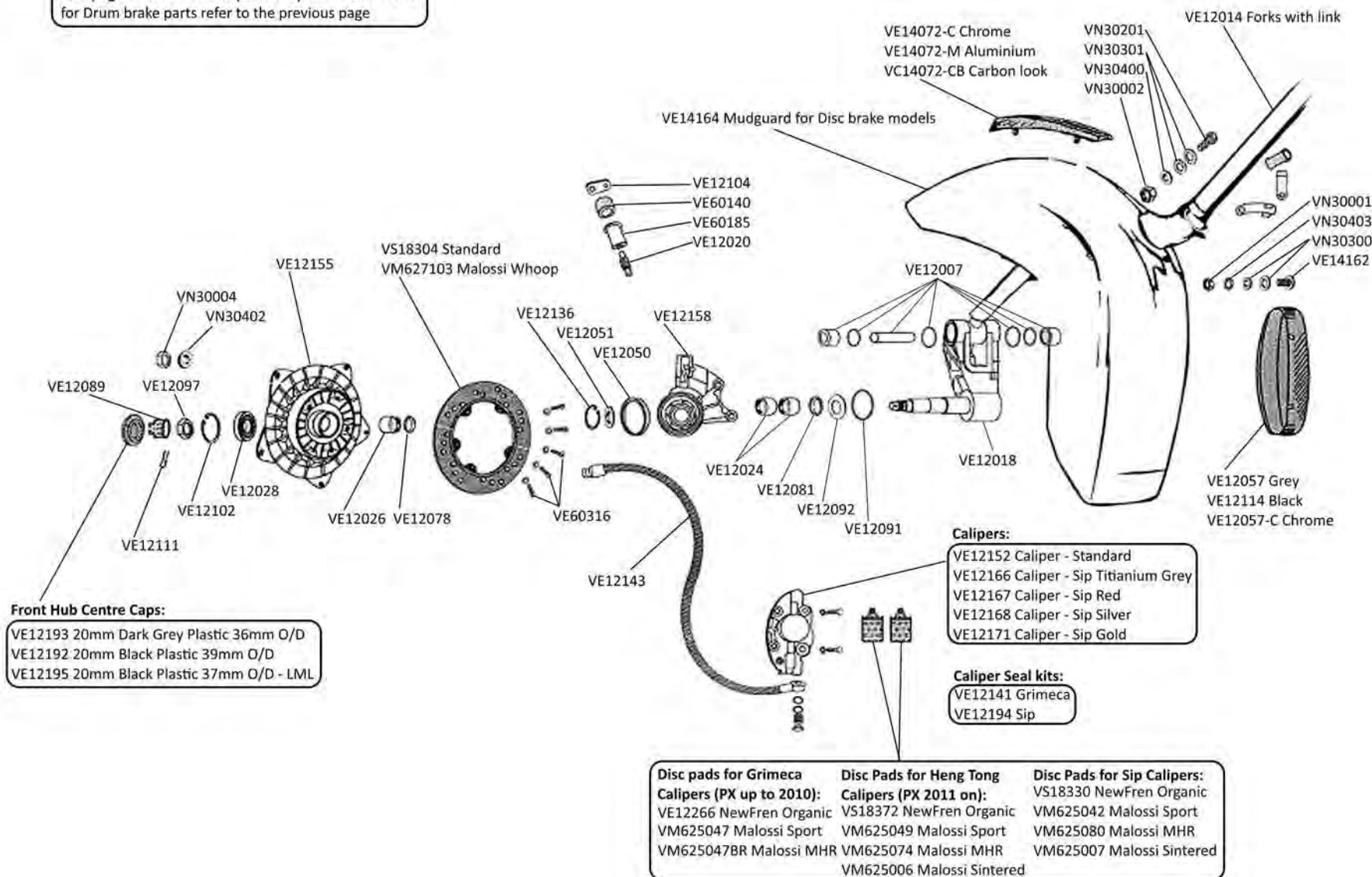
click **HERE** to return to our Contents Page

Large frame Vespa forks come in two sizes, 16mm and 20mm, this size is in reference to the internal size of the hub needle roller bearing, 16mm forks were fitted to early Mark 1 PX's 1977-1981 and everything from 1982 on has 20mm forks. The easy way to tell them apart, 20mm forks use a split pin to secure the front hub nut and 16mm forks do not, so if there is a hole for a split pin in the end of the spindle its 20mm forks.

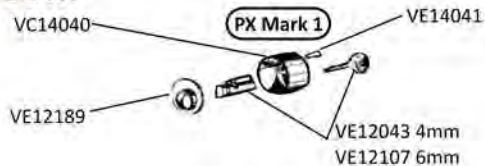


click **HERE** to return to our Contents Page

This page is for Disc brake parts only with 20mm forks
for Drum brake parts refer to the previous page



www.ve-uk.com

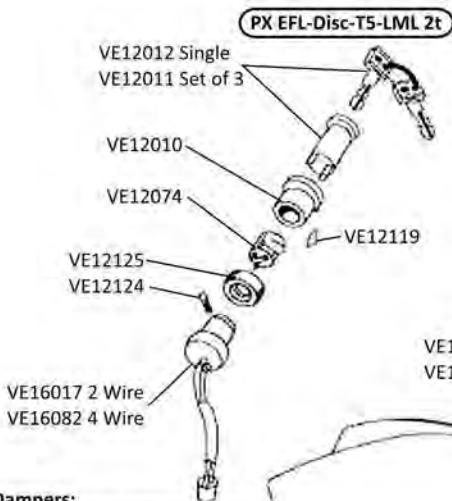


Damper Sets (Front & Rear):

- VC00544-BK Carbone - Black
- VC00544-R Carbone - Red
- VC00544-RB Carbone Red & Black
- VC00544-S Carbone - Silver
- VC00544-W Carbone - White

Rear Dampers:

- VE00501 Standard
- VE00501-Y YSS - Black
- VE00501-YG YSS Gas - Silver & Black
- VE00509 Sebac style - Red & White
- VC00526 Carbone - Black & Red
- VE00533 Sip 2.0 - Silver & Black
- VE00542 Forsa - Black & Blue
- VE10744 Pinasco - Black & Yellow
- VC00549 Carbone Alloy - Silver & Chrome
- VM464618 Malossi RS24 - Chrome & White
- VE00551 BGM Pro R12 - Silver-Gun Metal
- VE00551-BK BGM Pro R12 - Black



PX EFL-Disc-T5-LML 2t

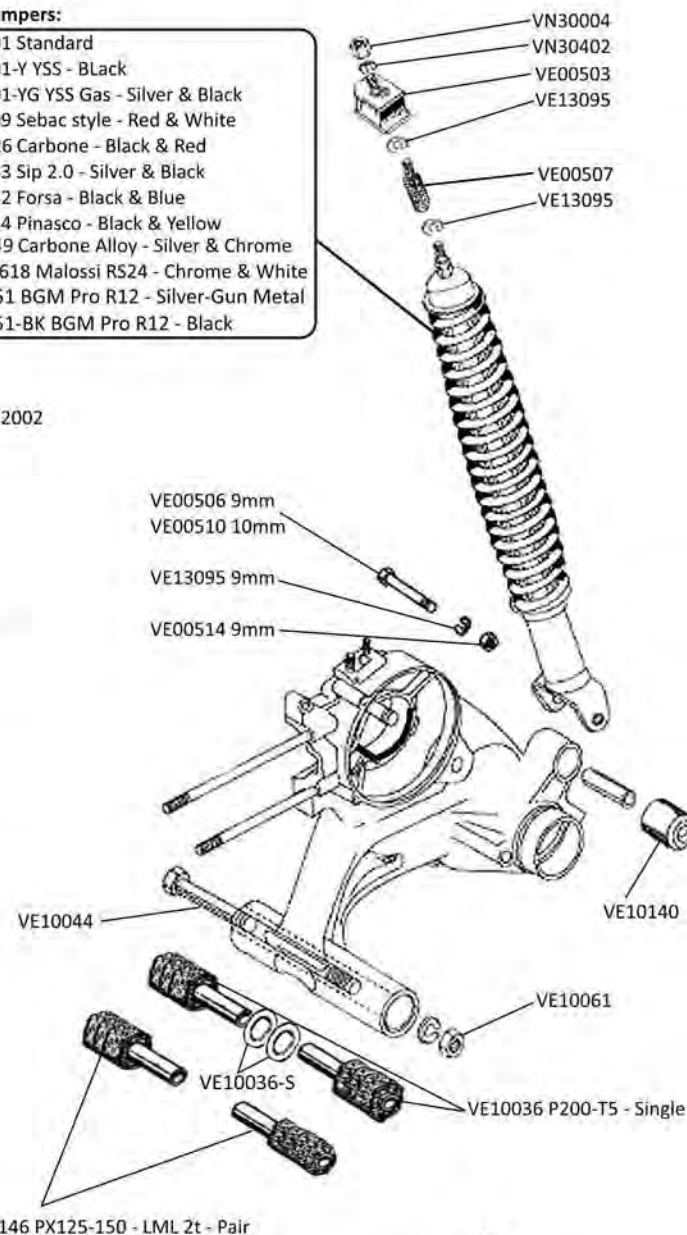
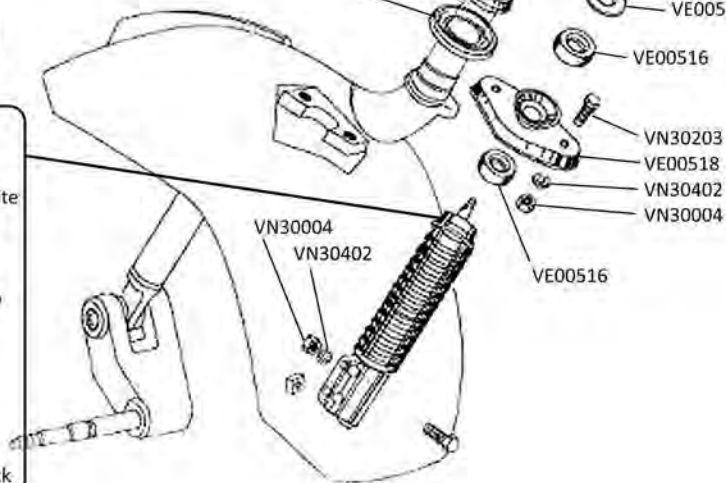
VE12085 T5 - Handlebar locating Washer

VE12090
VE12075
VE12004

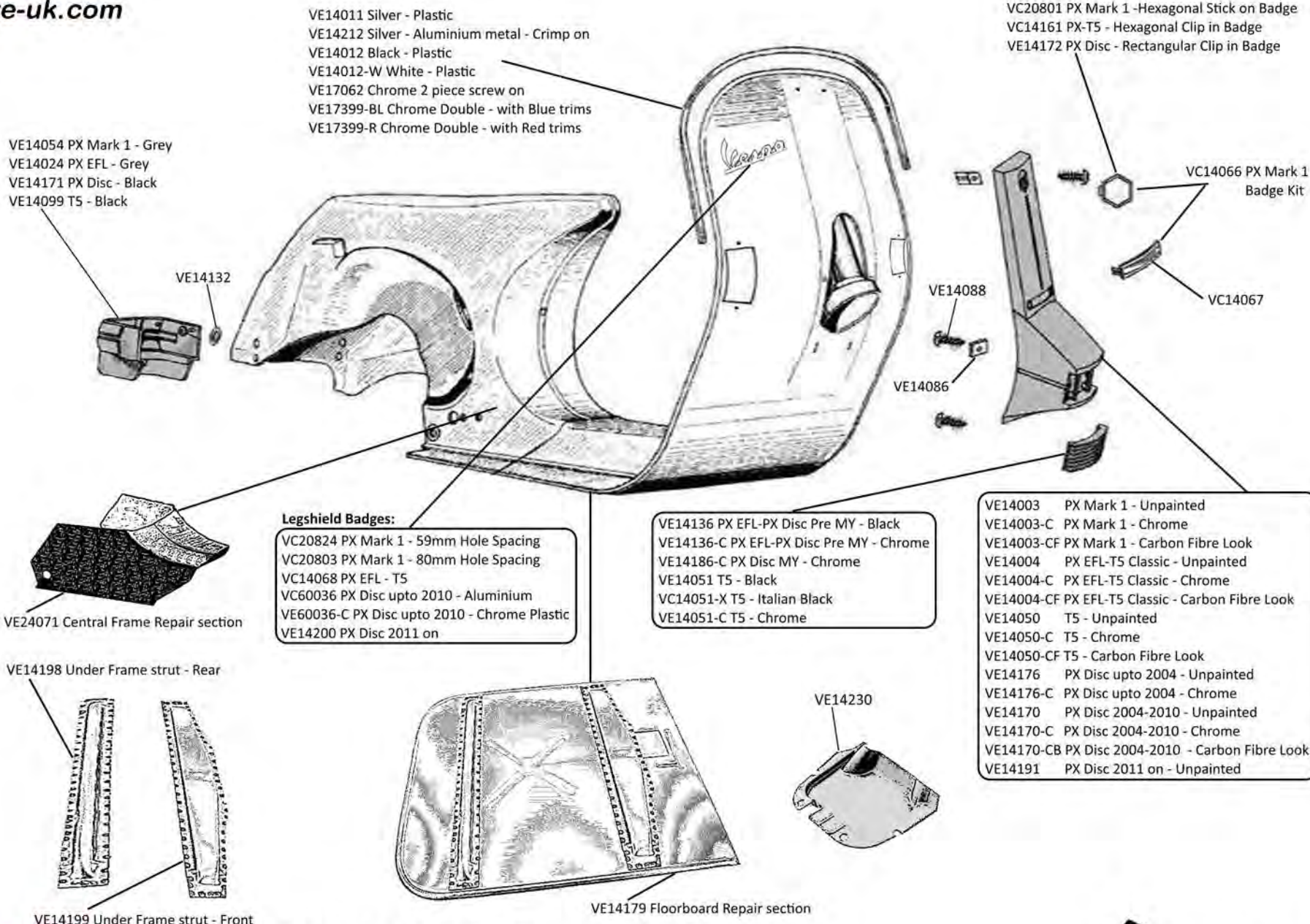
VE12003
VE12005
VE12068
VE00540
VE00516

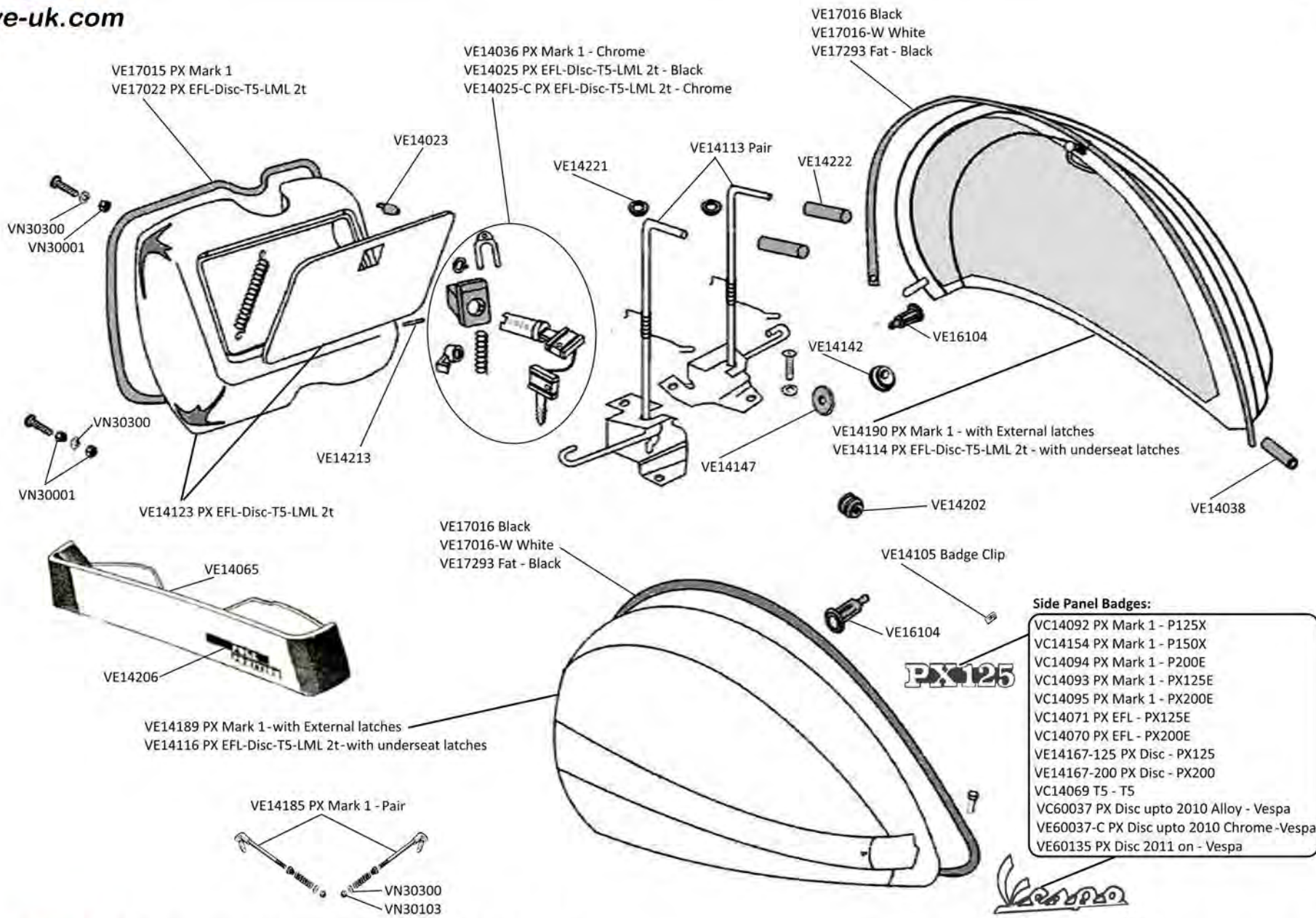
Front Dampers:

- VE00500 Standard - Drum Brake
- VE00543 Standard - Disc Brake
- VE00500-Y YSS - Black
- VE00524 Sebac Style - Red & White
- VC00525 Carbone - Black & Red
- VE00532 Sip 2.0 - Silver & Black
- VE00541 Forsa - Black & Blue
- VE10743 Pinasco - Black & Yellow
- VC00548 Carbone Alloy - Silver & Chrome
- VM464615 Malossi RS25 - Chrome & White
- VE00550 BGM Pro F16 - Silver & Gun Metal
- VE00550-BK BGM Pro F16 - Black

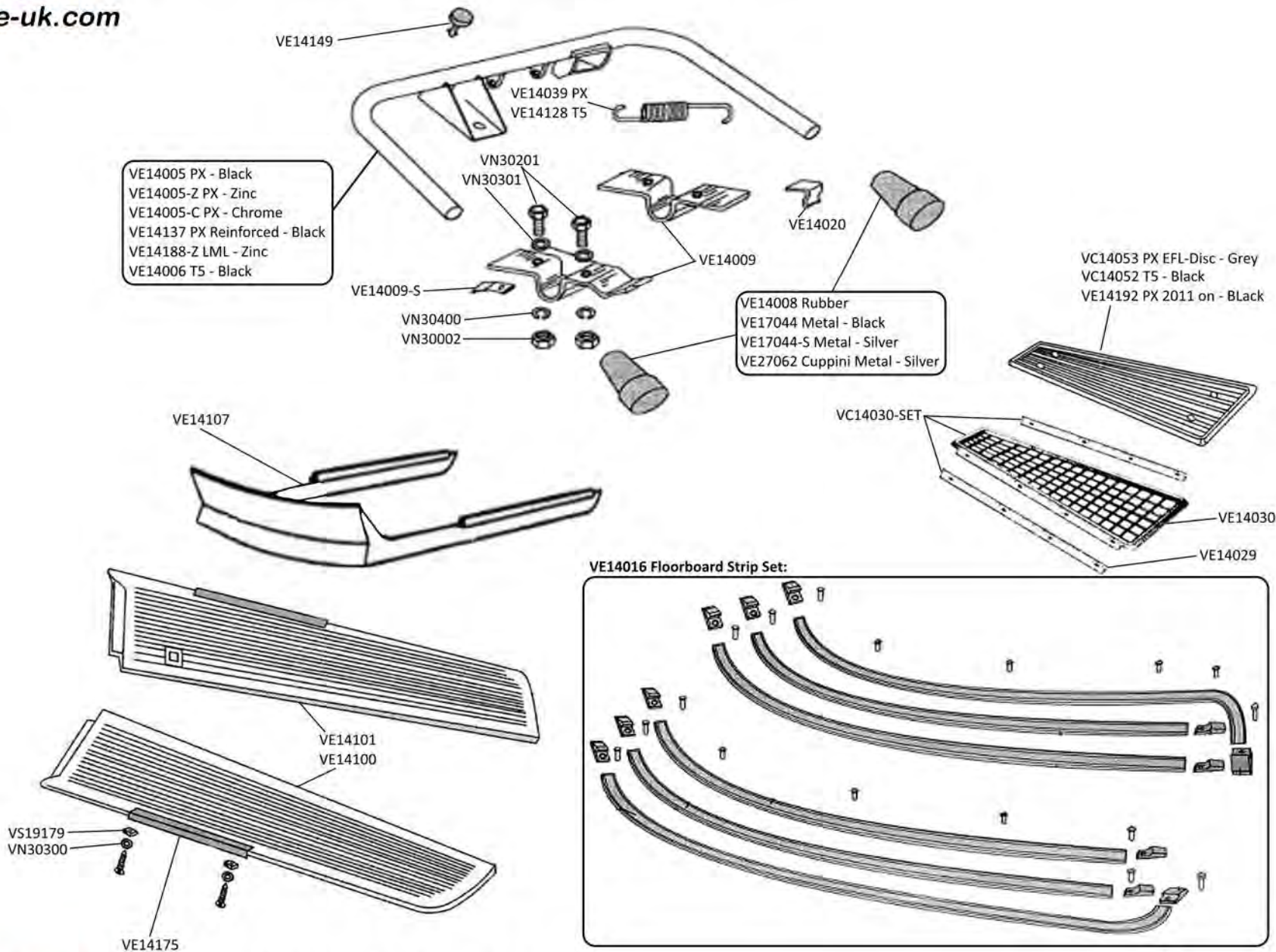


click **HERE** to return to our Contents Page





click **HERE** to return to our Contents Page



click **HERE** to return to our Contents Page

www.ve-uk.com



Standard Split wheel rims:

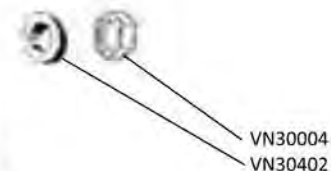
- VE12046 Silver
- VE12046-BK Black
- VE12046-R Red
- VE12046-W White
- VE17045 Chrome
- VE17045-X Custom Chrome

Split Tubeless wheel rims:

- VE12200 FA Italia- Alloy - Polished
- VE12200-BK FA Italia- Alloy - Black
- VE12200-R FA Italia - Alloy - Red
- VE10764-X Pinasco - Alloy - Polished
- VE10764-XBK Pinasco - Alloy - Black
- Spare O'rings
- VE12200-O for FA Italia Split rims
- VE10764-O for Pinasco Split rims

One Piece Tubeless wheel rims:

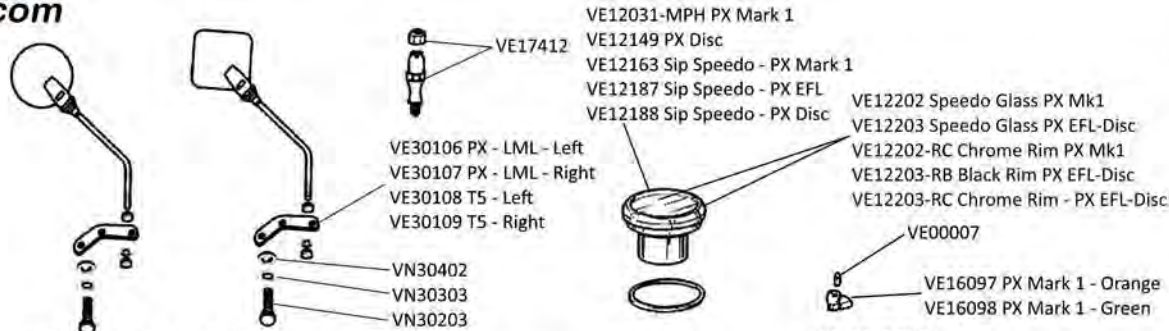
- VE12181 Sip 2.10x10 - Polished
- VE12181-BK Sip 2.10x10 - Black
- VE12181-BS Sip 2.10x10 - Black with Silver edge
- VE12181-R Sip 2.10x10 - Red
- VE12181-S Sip 2.10x10 - Painted Silver
- VE12162 Sip wide 2.50x10 - Polished
- VE12162-BK Sip wide 2.50x10 - Black
- VE12162-BS Sip wide 2.50x10 - Black with Silver edge
- VE12162-S Sip wide 2.50x10 - Painted Silver
- VE12182 Sip extra wide 3.00x10 - Polished
- VE12182-BK Sip extra wide 3.00x10 - Black
- VE12182-BS Sip extra wide 3.00x10 - Black with Silver edge
- VE12182-S Sip extra wide 3.00x10 - Painted Silver



MIT10B4 Michelin Inner Tube
MITVESPA Mitas Inner Tube



click **HERE** to return to our Contents Page



Levers for Clutch and Drum front brake:

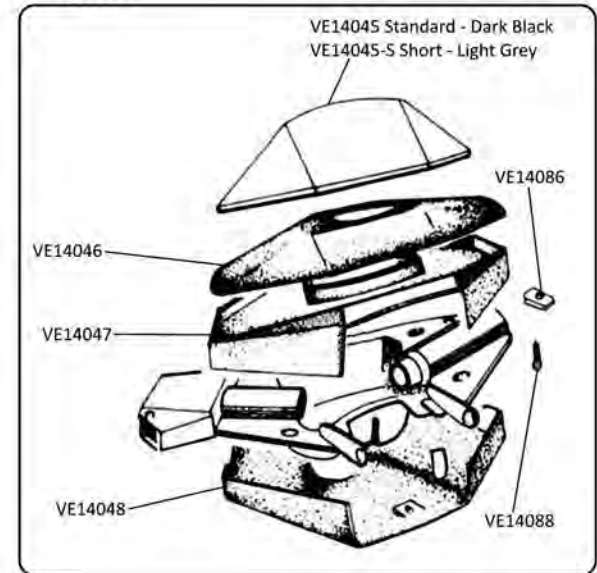
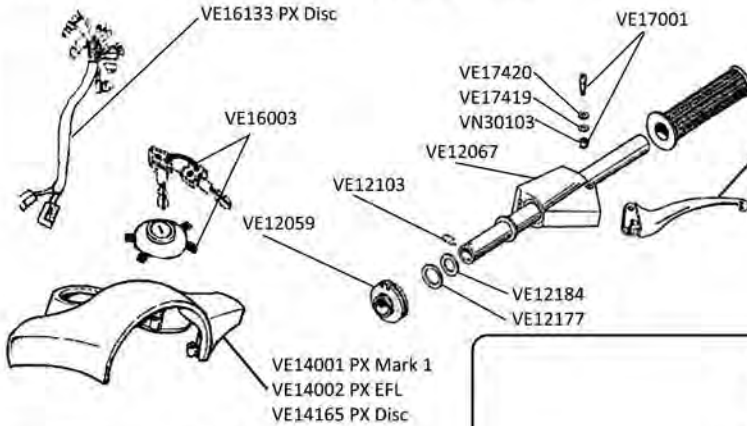
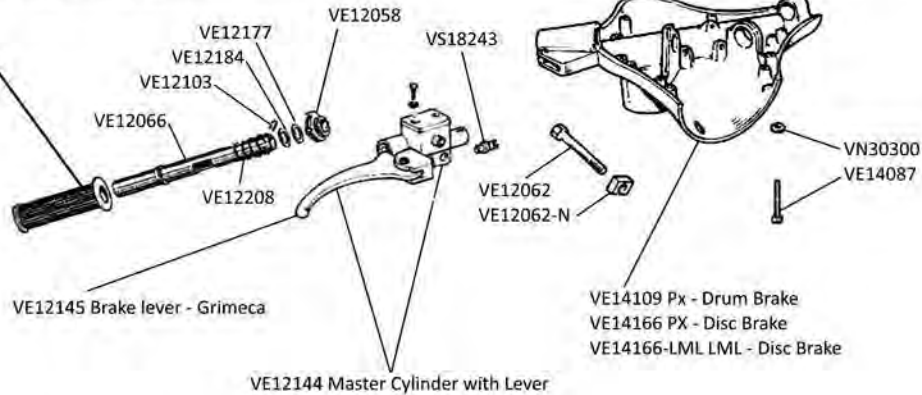
- VE12036 PX - Silver - Pair
- VE22026 Retro Pointed - Silver - Pair
- VE12035 T5 - Black - Pair
- VE17006 Dog Leg - Black - Pair
- VE12157 Lomat Dog Leg Adjustable - Silver - Single
- VE12157-BK Lomat Dog Leg Adjustable - Black - Single
- VE22073 Lomat Retro Adjustable - Silver - Pair
- VE22073-BK Lomat Retro Adjustable - Black - Pair

Mirrors, supplied with under bar mounting bracket:

- VE17029 Square Head - Black - Fits either left or right
- VE17195 Round head - Chrome - Fits either left or right
- VE17365 Round head - Chrome - Left *
- VE17366 Round head - Chrome - Right *
- VE17274 Continental Head - Chrome - Fits either left or right *
- Mirrors with a * can also be used with the top mounted mirror camp

Handlebar Grips - Vespa Only, Same Size Both grips:

- VE12047 PX Mark 1 - Black or Grey
- VE12053 PX EFL - Black
- VE12150 Rubber & Chrome - Black, Brown or Grey
- VE12175 PX 2011 on - Left - VE12176 PX 2011 on - Right
- VE17076-X Foam & Chrome - Black
- VE17092 Sundance - Chrome
- VE17126 Ariete rubber - Black
- VE17327-BK Leather & Alloy - Black



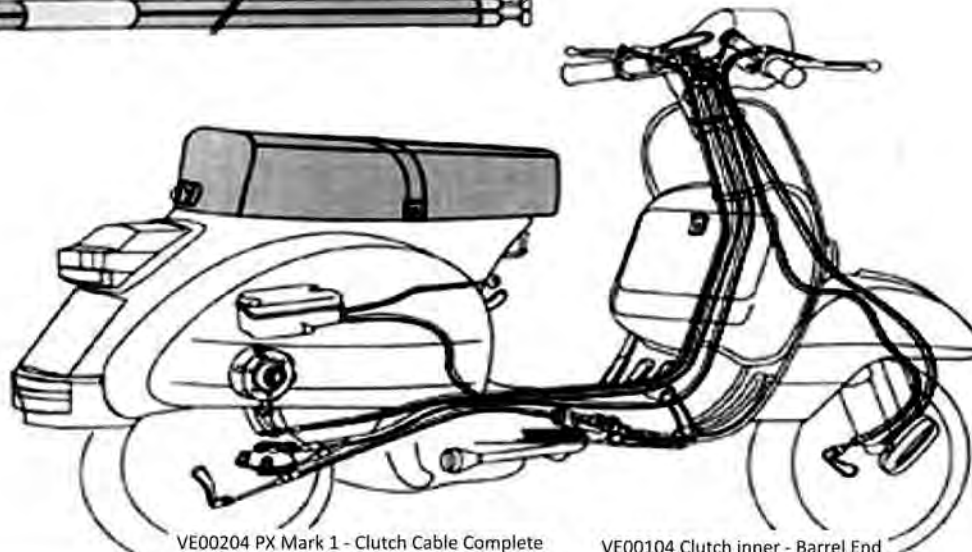
www.ve-uk.com

VE17019 Standard
VE17019-X With internal washer

VE00200 PX-LML 2t - Rear Brake Cable Complete
VE00210 T5 - Rear Brake Cable Complete

VE00100 Rear Brake Inner cable

Cable sets:
VE00219 PX Mark 1 - Grey
VE00219-BK PX Mark 1 - Black
VE00220 PX EFL - Grey
VE00220 PX EFL - PX Disc - Black
VE00224 PX Disc - Grey



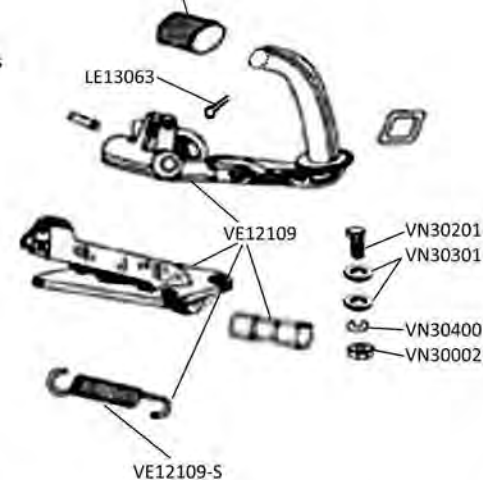
VE00300 PX Mark 1 - LML 2t
VE00301 PX EFL - T5
VE00311 PX Disc

VE12206
VE00204 PX Mark 1 - Clutch Cable Complete
VE00214 PX EFL-Disc-T5 - Clutch Cable Complete
VE00104 Clutch inner - Barrel End
VE00106 Clutch inner - Pear end
VE17020 Brass

VE14229 Grooved - Late Type
VE14057 Checked - Early Type

VE00075 Throttle solderless nipple - 7.5x5.5
VE00076 Throttle solderless nipple - 12x4
VE00077 Throttle solderless nipple - 8.5x5.5

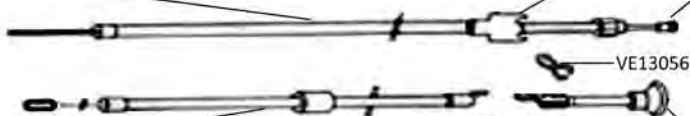
VE00201 Throttle Cable Complete
VE00214 Extra Long Throttle Cable Complete
VE00102 Throttle Inner
VE00107 Extra Long Throttle Inner



VE00202 PX Mark 1 - Front Brake Cable Complete
VE00203 PX EFL 1984-86 - Front Brake Cable Complete with threaded end
VE00213 PX EFL 1986 on - Front brake Cable Complete - 2 Piece cable

VE16090
VE00103 Front Brake Inner

VE14231
VN30301
VN30400
VN30201



VE00206 PX without oil injection - Choke Cable Complete
VE00212 PX-T5-LML 2t - with Oil Injection - Choke Cable Complete

VE13057

VE13044 Plastic end
VE13044-M Aluminium end
VE13044-A Adjustable for use with big carbs

click **HERE** to return to our Contents Page

VE16022 PX Mark 1-EFL-T5 Classic - 12v AC
 VE16152 PX Disc - 12v DC
 VE16051 T5 - 12v AC



VE16077 PX Mark 1 - Toggle
 VE16032 PX Mark 1 - Rocker
 VE16035 PX EFL-T5 - 6 wires
 VE16137 PX Disc - 3 wires
 VE16141 LML 2t (without wires)



VE16078 PX Mark 1 - AC - Toggle
 VE16033 PX Mark 1 - AC - Rocker
 VE16057 PX EFL - T5 Classic - AC
 VE16056 T5 - AC
 VE16138 PX EFL-Disc 1984-2004 - DC
 VE16203 PX Disc 2005-2010 - DC
 VE16204 PX Disc 2011 on - DC
 VE16142 LML 2t (without wires)



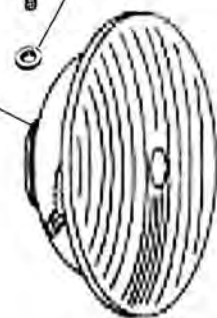
VE16005-E PX Mark 1-EFL-T5 Classic
 VE16005-P PX Mark 1-EFL-T5 Classic - Polycarbonate
 VE16099 T5 - Indian (Glass Lens)
 VE16053 T5 - Italian (Plastic Lens)
 VE16131 PX Disc

VE00003 PX Mark 1-EFL-T5 Classic
 VE00805 PX Disc



VE16023 PX Mark 1
 VE16149 PX EFL-T5 Classic

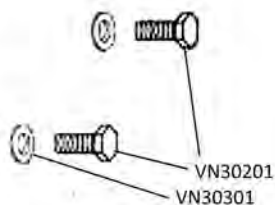
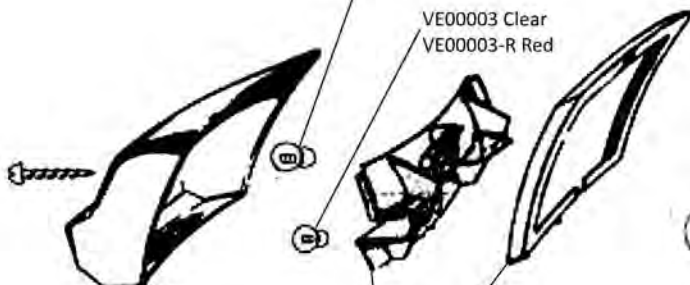
VE10133 PX-LML
 VN30300 PX-LML



VE17099 PX

VE00004 Clear
 VE00004-R Red

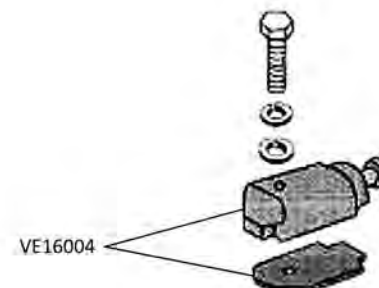
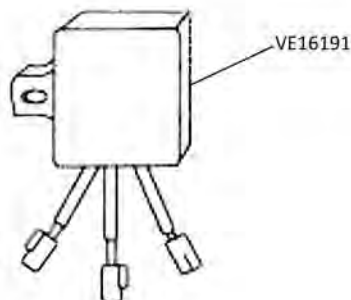
VE00003 Clear
 VE00003-R Red



VE00009 PX Mark 1- Ba20d 12v 25/25
 VE00010 PX EFL - Ba20d 12v 35/35
 VE00039 PX EFL - Halogen Ba20d 12v 35/35
 VE00022 PX Disc - H4 Halogen 12v 35/35
 VE00022-X PX Disc - H4 Xenon 12v 25/35
 VE00011 T5 - P45t 12v 45/40
 VE00025 T5 - P45t Halogen 12v 60/55

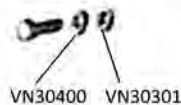
VE16041 PX Mark 1 - Red
 VE16041-W PX Mark 1 - Clear
 VE16029 PX EFL - T5 Classic - Red
 VE16028 T5 - Red
 VE16143 PX Disc - Red
 VE16143-W PX Disc - Clear

VE16042 PX Mark 1
 VE16044 PX EFL - T5 Classic
 VE16054 T5
 VE16132 PX Disc





PX Mark 1-EFL-T5 - AC 3 Terminal Regulator
 VE16012
 VE16105 Ceab Italy
 VE16181 Ducati Energia
PX EFL Electric Start AC-DC 5 Terminal Regulator A A G +B Earth
 VE16011
 VS18233 Ceab Italy
PX Disc - AC-DC 5 Terminal Regulator G G +B C Earth
 VE16111
 VE16192 Ceab Italy

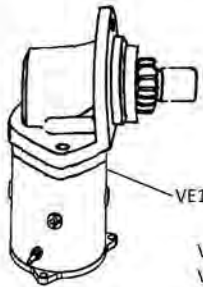


VN30400 VN30301

Rear Indicator Lenses:
 VE16026 Left - Amber
 VE16027 Right - Amber
 VE16165 Left - Clear
 VE16166 Right - Clear
Rear Indicator Lamps:
 VE16007 Left - Amber & Black
 VE16008 Right - Amber & Black
 VE16007-C Left - Clear & Chrome
 VE16008-C Right - Clear & Chrome



VE00005 Clear - 12v 21
 VE00033 Amber - 12v21 Parallel pins
 VE00033-O Amber 12v 21 Offset Pins



VE16140

VE16013 AC Flasher - 3 Terminals
 VE16106 AC Flasher - 3 Terminals - Ceab Italy
 VE16014 DC Flasher - 4 Terminals - Ceab Italy



VS18847 12v 80a Starter Relay - Metal type
 VS19302 12v 80a Starter Relay - Plastic type

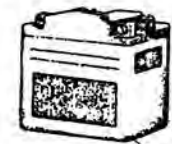


VN30001
 VN30403
 VN30300



VE16072

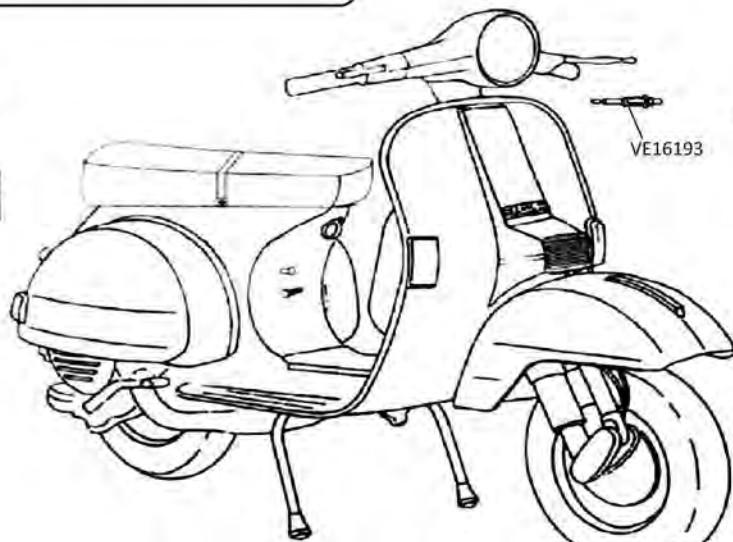
VE16103-X Flasher Buzzer - Original Style
 VE16103 Flasher Buzzer - Universal



Indicator Lens Sets of 4:
 VE17058 Clear
 VE17059 Red
 VE17060 Smoked
 VE17318 Blue
 VE17319 Carbon Look

VB00201 Standard
 VB00201-G Gel Type

VE26117



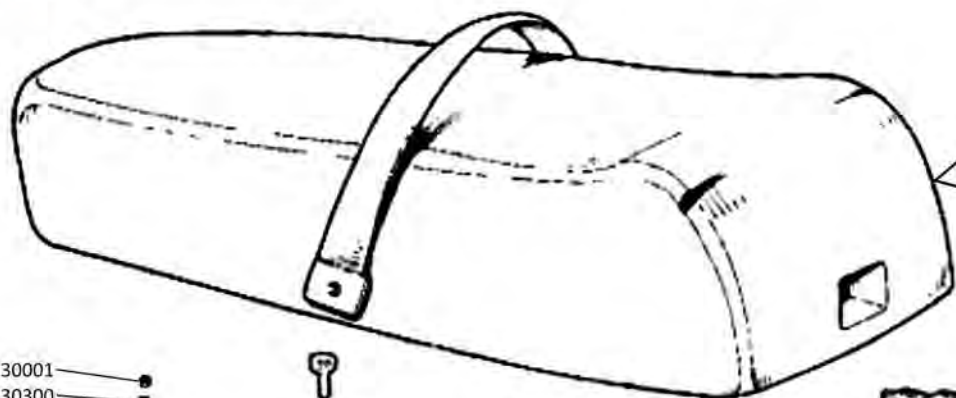
VE00005 Clear - 12v 21
 VE00033 Amber - 12v21 Parallel pins
 VE00033-O Amber 12v 21 Offset Pins

VE16089

VE16193

VN30001

Front Indicator Lenses:
 VE16024 Left - Amber
 VE16025 Right - Amber
 VE16167 Left - Clear
 VE16168 Right - Clear
Front Indicator Lamps:
 VE16009 Left - Amber & Black
 VE16010 Right - Amber & Black
 VE16009-C Left - Clear & Chrome
 VE16010-C Right - Clear & Chrome

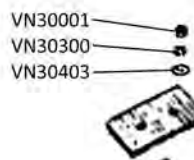


Standard Seats:

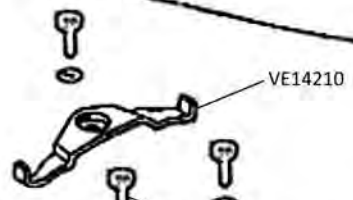
- VE40108 PX Mark 1 - Black
- VE40307 PX EFL - T5 Classic - Black
- VE41000 T5 - Black
- VE41001-BK PX Disc upto 2010 - Black
- VE41001-BL PX Disc upto 2010 - Dark Blue
- VE41001-TAN PX Disc upto 2010 - Tan
- VE41020 PX Disc 2011 on - Black

Alternative Seats - PX-T5 Classic (not T5)-LML 2t:

- VE40415 Yankee Seat - Black
- VE40308 King & Queen Seat - Black
- VE40308-B King & Queen Seat - Beige
- VE41002-BK Super Corsa - Black
- VE41002-BW Super Corsa - Black with White Stripe
- VE41002-DP Super Corsa - Pink Denim Look
- VE41002-RWG Super Corsa - Red-White-Green
- VE41002-RWB Super Corsa - Red-White-Blue
- VE41013-BK Ancilotti - Black
- VE41018 Race Seat - Metal base with Black seat pad



- VN30001
- VN30300
- VN30403



VE14210

- VE14021 Aluminium
- VE14021-C Chrome
- VE14021-P Black Plastic

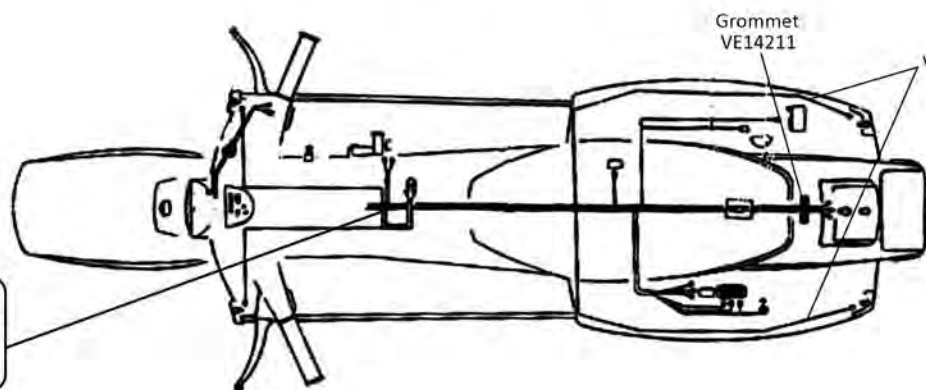
- VN30203
- VN30303



- VE14102 PX Mark1
- VE14103 PX EFL-Disc-T5
- VC40201 Yankee seat Lock - Longer and Flange slopes Back



- VE14044 Standard
- VE17135 Extended Thread
- VN30402
- VE14044-CUP



Grommet
VE14211

VE16101 Indicator Panel wire

Wiring Looms:

- VE00601 PX Mark 1 - Non Battery with Indicators
- VE00602 PX EFL-T5-T5 Classic - Non Battery with Indicators
- VE00607 PX EFL-T5-T5 Classic - Electric Start with Indicators
- VE00606 PX Disc - Electric Start with Indicators